



**CRG COMPANIES, INC**  
INFO@CRGHOMES.COM // 843.651.8460  
LIVINGDUNES.NET

**LIVE LOCAL, LIVE SMART, LIVING DUNES**



Floor plans and elevations are artist's renderings and may contain options which are not standard on all models. Living Dunes reserves the right to make changes to these floor plans, specifications, dimensions, and elevations without prior notice. Stated dimensions and square footage are approximate and should not be used as representation of the home's precise or actual size. [PLN2.0:V6]

# LIVING DUNES

A GRANDE DUNES COMMUNITY

## THE CHARLESTON PALMETTO COLLECTION

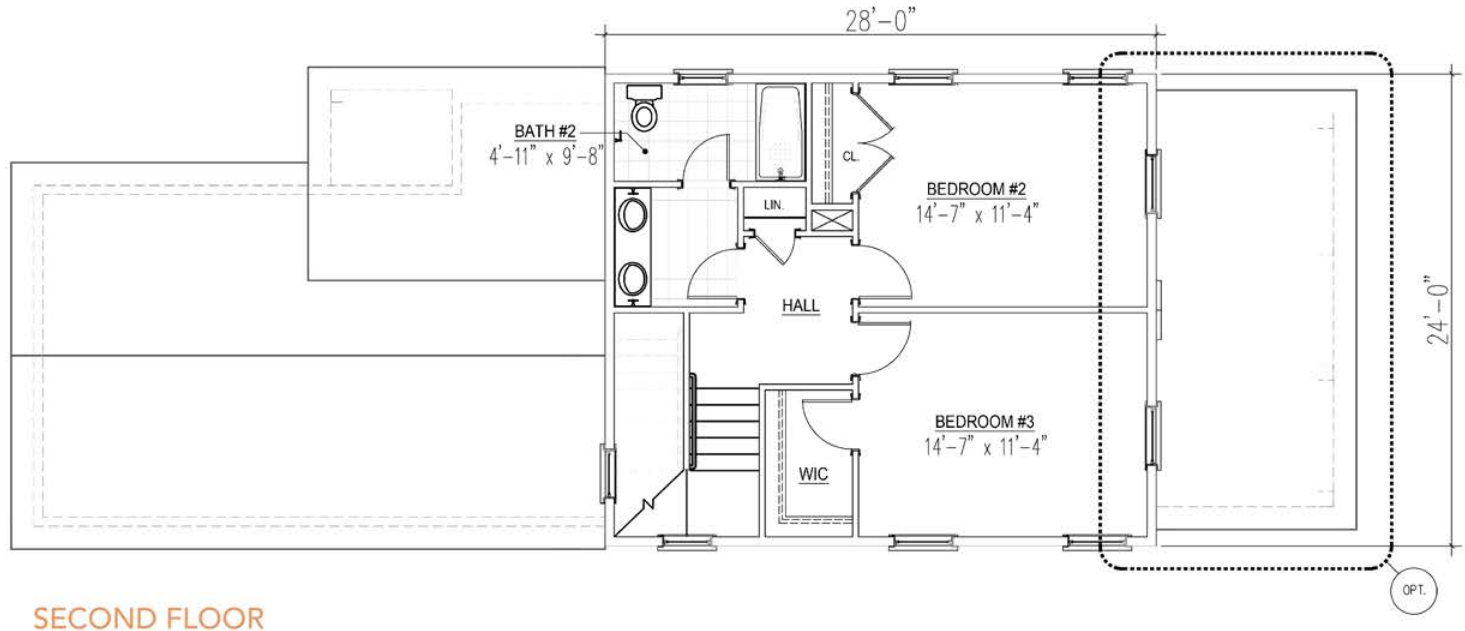
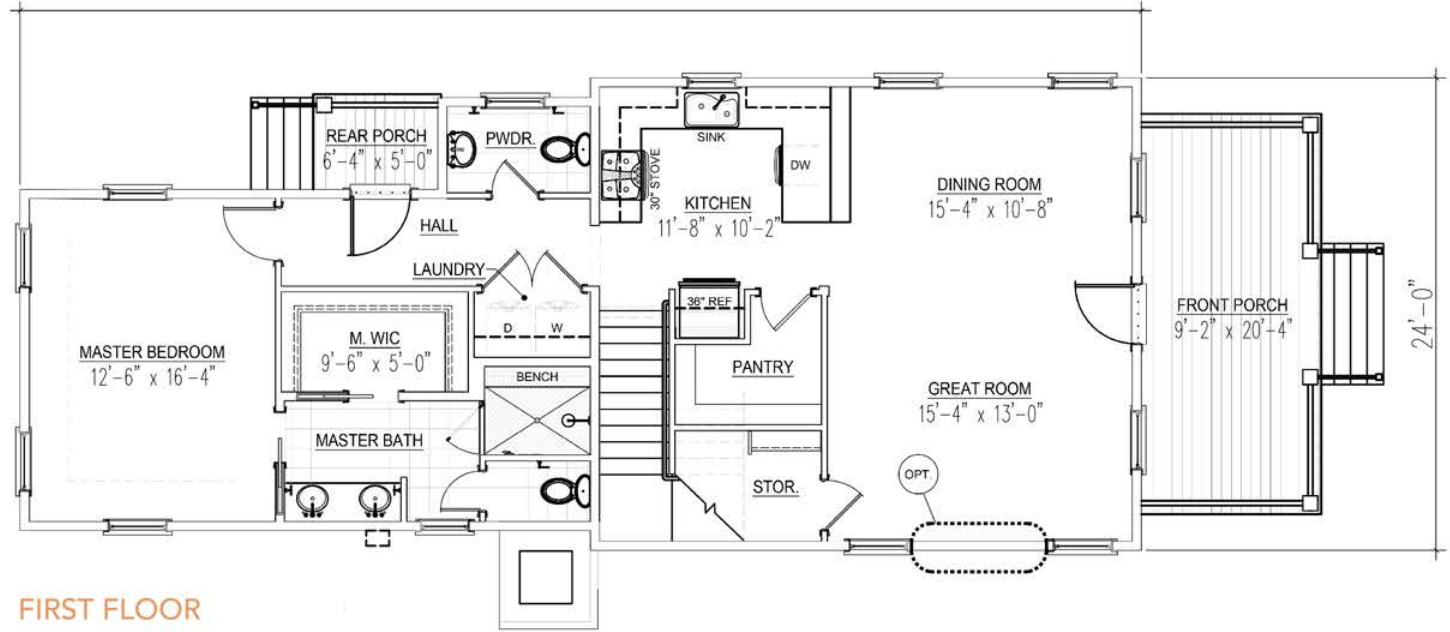
TOTAL HEATED SQFT: 1,882

- 1ST FLOOR: 1,210

- 2ND FLOOR: 672

TOTAL UNHEATED SQFT: 218

TOTAL SQFT: 2,100



FOR SALES INFORMATION CONTACT CRG COMPANIES: 843-651-8460 | INFO@CRGHOMES.COM



Floor plans and elevations are artist's renderings and may contain options which are not standard on all models. Living Dunes reserves the right to make changes to these floor plans, specifications, dimensions, and elevations without prior notice. Stated dimensions and square footage are approximate and should not be used as representation of the home's precise or actual size. [PLN2.0:V6]